

**GARO**

**SÄKERHETSBRYTARE**

**GKUT3125T1V**

**E3134190**

**107614**

3 Poles  
 AC-21 160A 400V~  
 AC-23 55kW 400V~  
 AC-23 75kW 690V~  
 Qty: 1

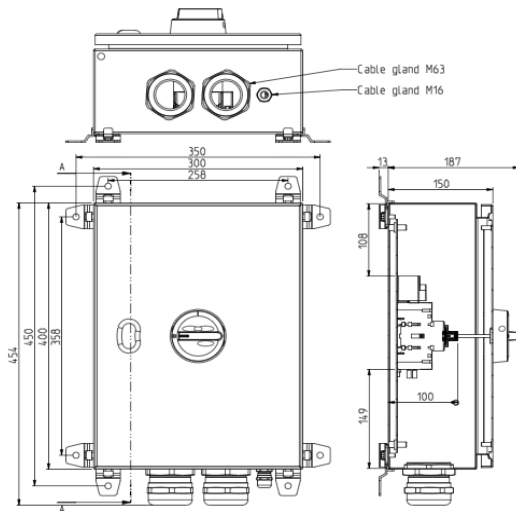
IP65

PLÅT

CE

7331185121178

GARO AB, Södergatan 26, 33525 Gnösjö



Ratings:

**GARO**

**GKUT3125T1V**

lthe 160A IP65

Ie/Ue 50/60Hz  
 400V~ 690V~


AC-21A	160A	160A
AC-22A	125A	125A
AC-23A	125A	80A
AC-23A	55kW	75kW

IEC 60947-3

CE

MADE IN FINLAND

Part	Name	Drawing number	Note
Switch	KU 3125		
Enclosure	T02, 300x400x150	EC030415	
Handle	LK10, black		
Cable connectors	3x KKL1x120T (top side)		Al/Cu(16-120)mm <sup>2</sup>
PE connector	KL1x95PE + earthing bar		Al/Cu(16-95)mm <sup>2</sup>
Cable glands	2x KPK M63 TVP + KVM M63 T 1x KPK M16 TVP + KVM M16 T		ø(34-44)mm ø(5-10)mm
Auxiliary contact	1.V160KU		
Wall mounts	ECSF0001		
Cover stamps	GARO-logo Sweden: Säkerhetsbrytare*		Laser Laser
Data stamp	GKUT3125T1V		Laser
Package	Single package		
GARO code	107614		
EAN code	7331185121178		
E-number	E3134190		

Made by	S. Repo	Document	<b>107614</b>	Version
Date	02.10.2020	Specification number	<b>107614</b>	
Changes		Type	<b>GKUT3125T1V</b>	
Approved by		Customer	<b>GARO</b>	
Stamp and approval		 <b>107614</b>		