

GARO

GKUM 3400 1V MF04
 Ithe 400A IP65
 Ie/Up 50/60Hz
 400V~ 690V~
 AC-21A 400A 400A
 AC-22A 400A 400A
 AC-23A 400A 400A
 AC-23A 200kW 355kW
 IEC 60947-3



MADE IN FINLAND

GARO

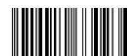
SÄKERHETSBRYTARE
GKUM 3400 1V MF04
E3134184
107608

3 Poles
 AC-21 400A 400V~
 AC-23 200kW 400V~
 AC-23 355kW 690V~
 Qty: 1



IP65

 PLAST



7331185121116

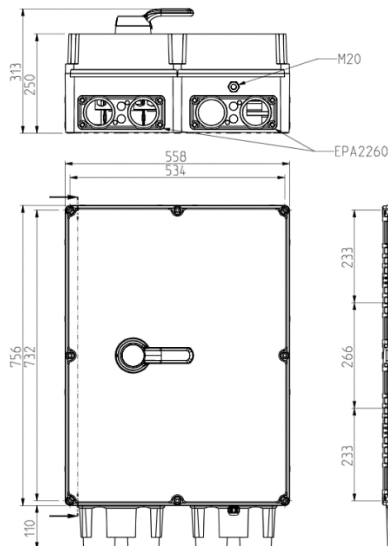
GARO AB, Södergatan 26, 33525 Gnösjö



EPA 2260
x 2



M20 P
x 1



Part	Name	Drawing number	Note
Switch	KU 3400		
Enclosure	MF04, 560x760x250	FIBOX EKWH	
Handle	LKX150, black		
Cable connectors	6x KKL2x240LR		Al/Cu(35-240)mm ²
PE-connector	2x KKL2x150 + PE-bar 3		Al/Cu(25-150)mm ²
Shaft	LVK205		
Cable flanges/glands	2x EPA 2260 + mounting kit 1x KPK M20 P + 1x KVM M20 P		ø(28-60)mm ø(7-13)mm
Auxiliary contact	1V160KU		
Cover stamps	GARO-logo Säkerhetsbrytare*		Laser Laser
Data stamp	GKUM 3400 1V MF04		Laser
Package	Single package		
GARO code	107608		
EAN code	7331185121116		
E-number	E3134184		

Made by	S. Repo	Document	107608	Version
Date	29.08.2022	Specification number	107608	
Changes		Type	GKUM 3400 1V MF04	
Approved by		Customer	GARO	
Stamp and approval		 107608		