

BISOL EasyMount Hook with Profile 50

Double-adjustable solution for various types of tiled roofs

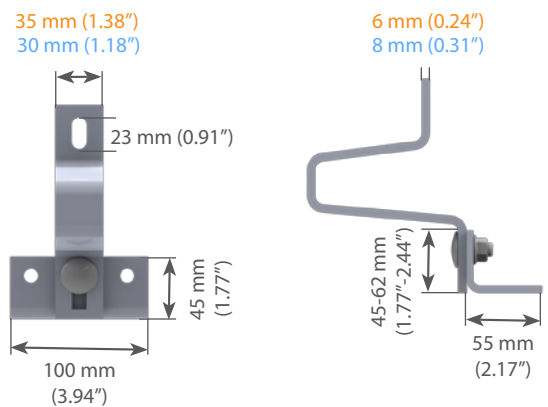


BISOL EasyMount hook is a perfect solution for pitched roofs covered by any type of tile with the exception of barrel tiles. The double adjustability of the hook permits use on roofs with large wave tiles, enables levelling out the uneven roof surfaces and provides more efficient cooling of the modules by lifting them further away from the roof surface. The system allows for portrait or landscape module orientation by mounting the profiles horizontally or vertically without the use of the grid



Technical Specifications

Application	Any type of tiled roof (except for barrel tiles)
Roof incline	From 10°
Method of installation	Attached to rafters
Module orientation	Portrait or landscape
Module frame tolerances	Suitable for all framed module dimensions
Maximum load on hook	BISOL EasyMount hook 6-35: 120 kg (265 lbs) BISOL EasyMount hook 8-30: 200 kg (441 lbs)
Snow load per system	0 – 5.40 kN/m ² (with BISOL PV modules)
Material	Stainless steel 1.4301 (hook) / Stainless steel A2-70 (fastening elements) / Aluminum EN-AW 6060 T5 (Profile 50)
Height adjustability	162 – 194 mm (6.36"–7.64") from the rafter



■ BISOL EasyMount hook 6-35
■ BISOL EasyMount hook 8-30



10-year durability guarantee



Double height adjustable



Suitable for most tiled roofs



Landscape orientation without use of grid



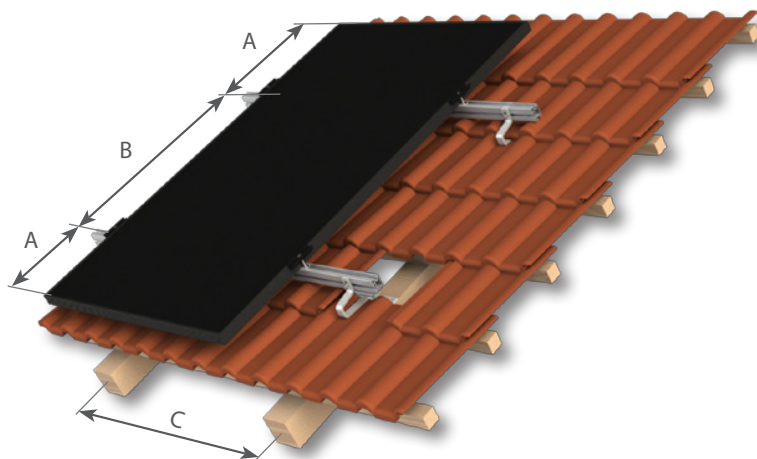
Efficient cooling



Levelling out uneven roof surfaces

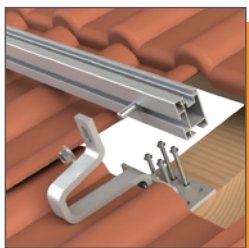
Recommended installation with BISOL PV modules

Distance			
A	<40 cm (15.75")		
B	80 - 150 cm (31.50"-59.06")		
Spans between rafters			
C	Any	85 cm ± 6.5 cm (33.5" ± 2.6")	
Module orientation	Landscape	Portrait	Landscape
Solution	Profile 50' / Grid (Profile 50 + Profile 50)	Profile 50	Profile 50 + L-connector

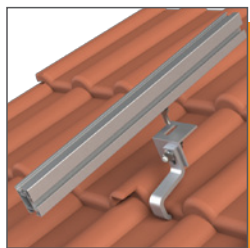


(1) For modules that can be mounted on the short frame side.

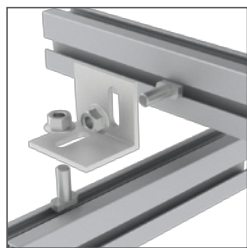
System Components



BISOL Hook is fixed to a rafter using four wood screws with EPDM washers. For portrait module orientation Profile 50 is mounted horizontally on the Hook.



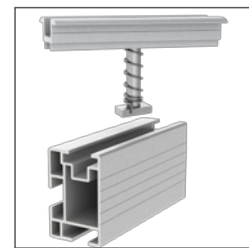
For landscape module orientation Profile 50 is mounted vertically on the Hook using BISOL EasyMount L-connector.



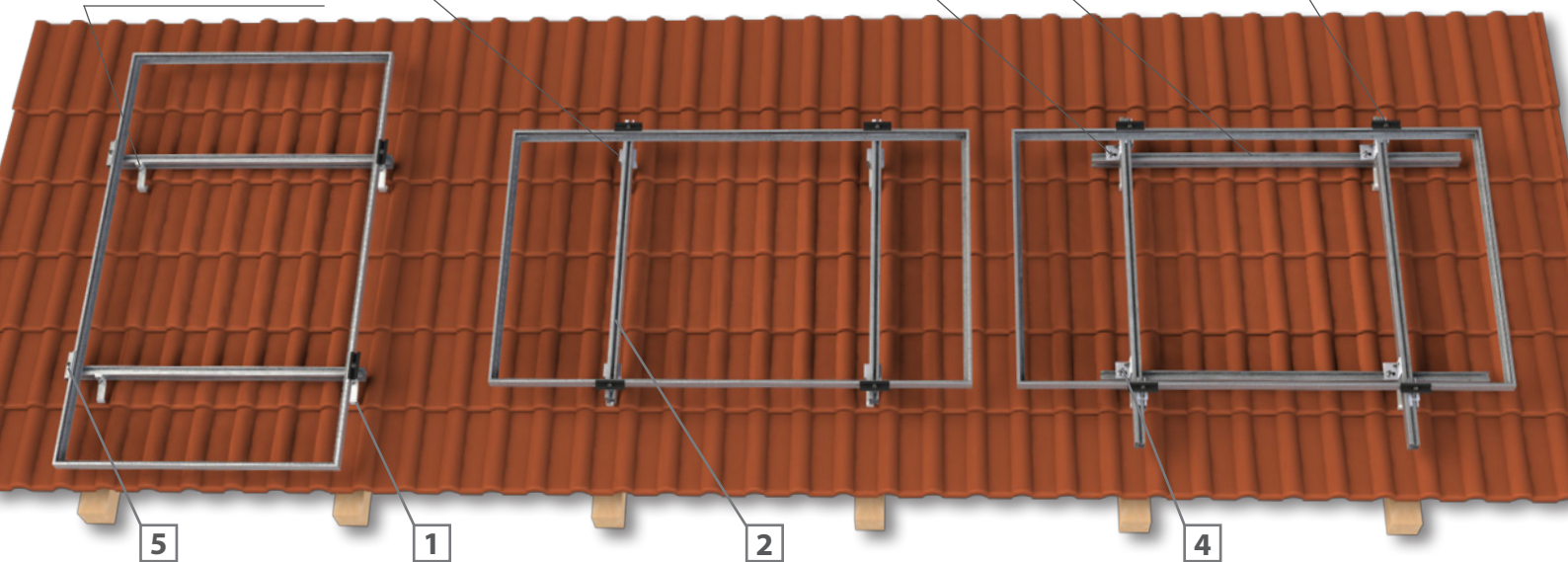
For larger spans and landscape module orientation a grid is laid out by connecting two intersecting Profiles 50 with the L-connector.



U-connectors allow for the extension of Profiles 50.



Pre-assembled end and middle clamps are mounted on Profiles 50.



Component	ID Code	Component description
1	SEK-2HS_6 SEK-2HS_8	Hook double adjustable 6-35 Hook double adjustable 8-30
2	SEK-EM50_33	Easy Mount 50 x 33 x 6200mm
3	SEKP-EMC50	Connector set for EasyMount 50 x 33
4	SEK-EMLC	Connector L EasyMount

Component	ID Code	Component description
5	SEKP-EMEC	Clamp end EasyMount, preassembled
6	SEKP-EMMC	Clamp middle EasyMount, preassembled
7	SEK-W65_115	Wood screw with EPDM washer 6,5 x 115 mm
8	SEK-HHS_10_25	Hammerhead screw M10x25 A2-70
9	SEK-DIN6923_10	Hexagon flange nut with serration M10 A2-70