



Ground Stand Entity Compact
Installation instructions
Rev: 1.1

GARO[®]

Art no: 380303

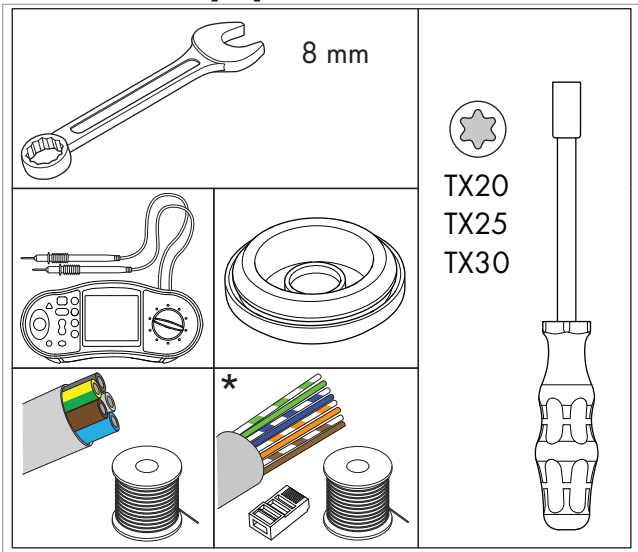


About this manual

The purpose of this manual is to provide you with the necessary information to install a ground stand for the Entity Compact models charging stations.

This document contains general descriptions which are verified to be accurate at the time of printing. However, because continuous improvement is a goal at GARO, we reserve the right to make product modifications at any time.

Tools and equipment needed



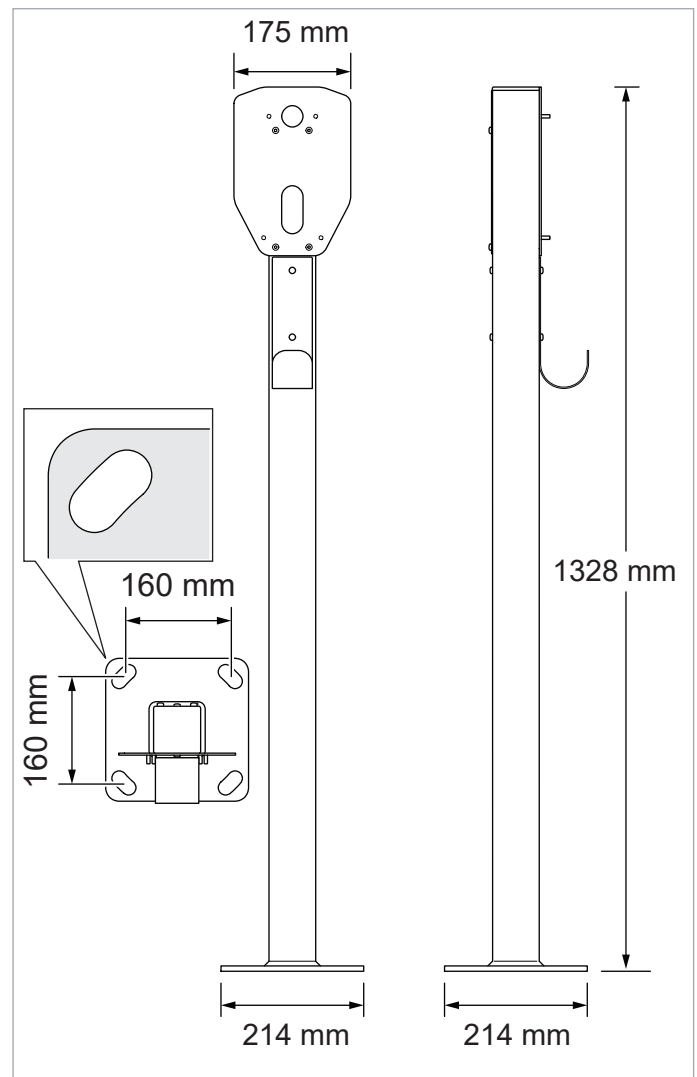
* If applicable

To install the Entity Compact charging station (CS)

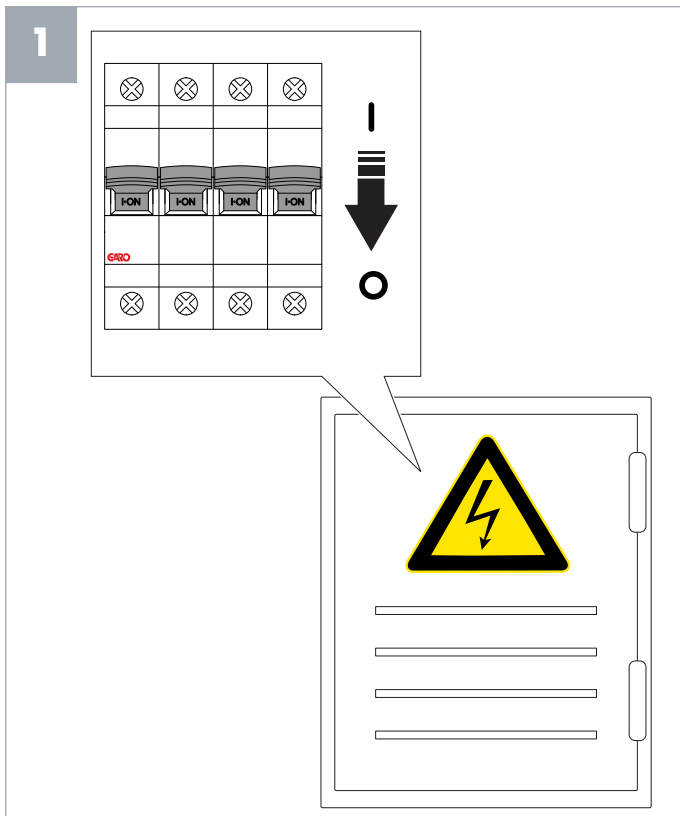
This manual does not contain instructions on how to install a Garo charging station. To install the Entity Compact charging station refer to the installation manual. All installation must be carried out by an authorized installer and comply with local country installation regulations. If any questions, please contact your local electrical authority.

Make sure that the ground stand is firmly attached to the ground before you install a GARO Entity Compact charging station. Use M10 - M16 screws to fasten the ground stand to the ground.

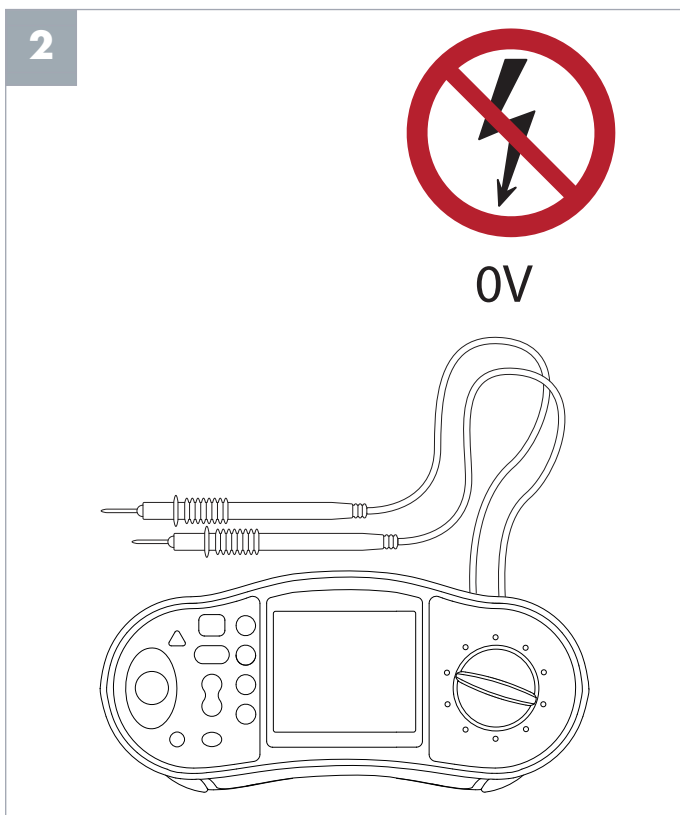
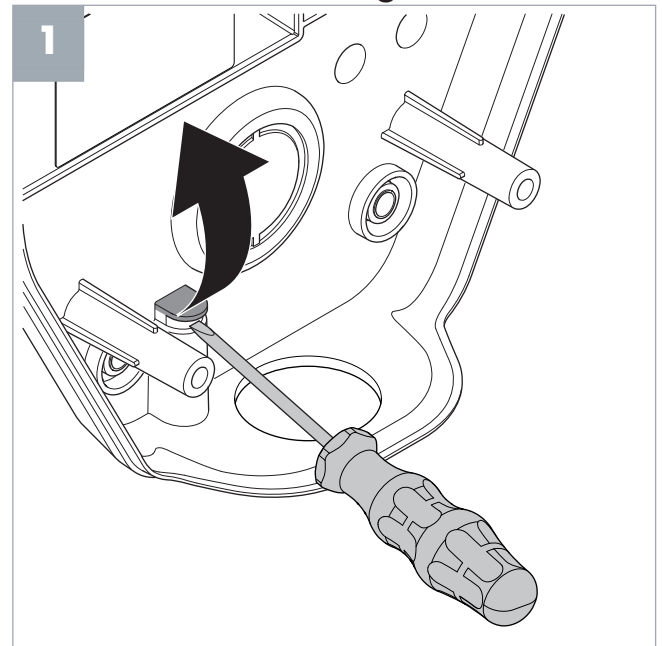
Dimensions

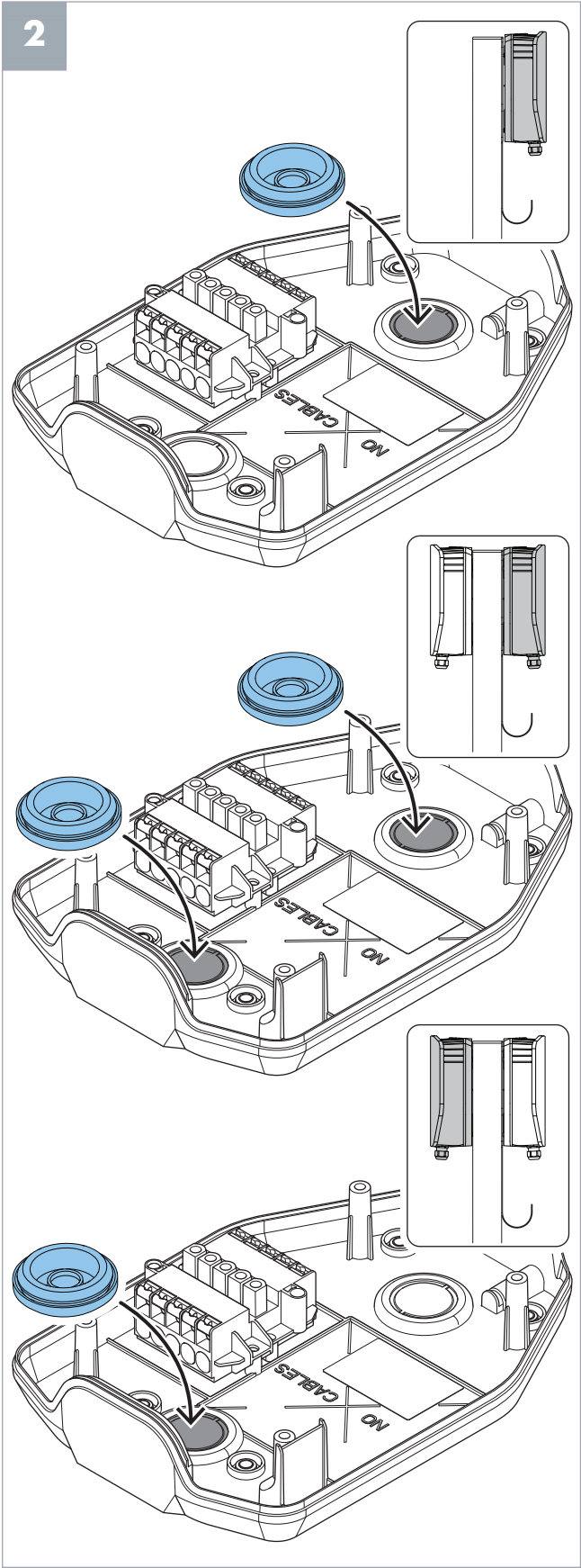


To do before installation



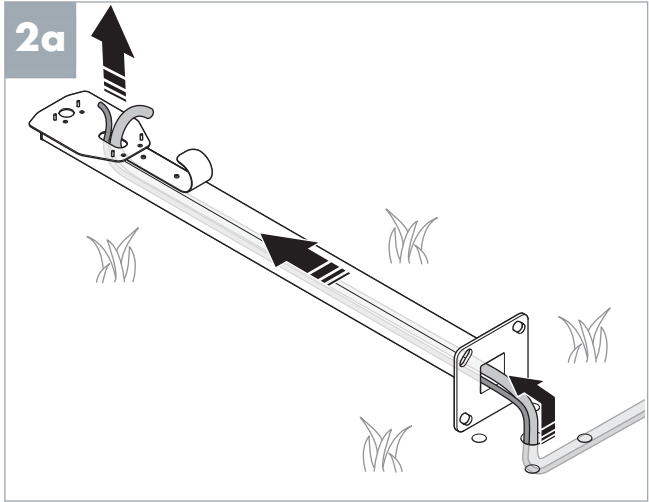
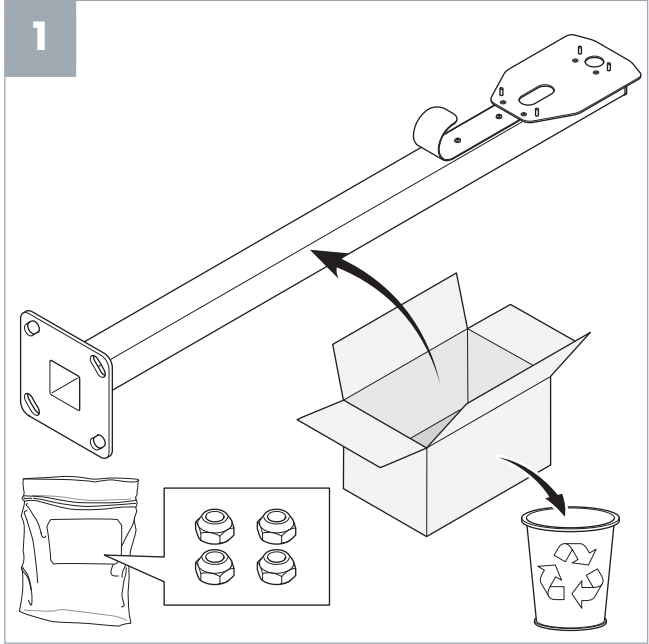
1. To prepare the CS bracket for installation on the ground stand



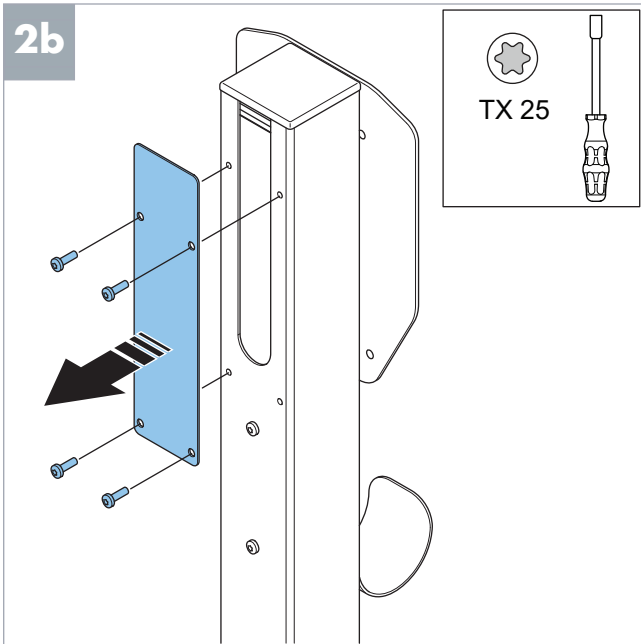


2. Install the charging station(s) on the ground stand

2.1 To install one CS unit

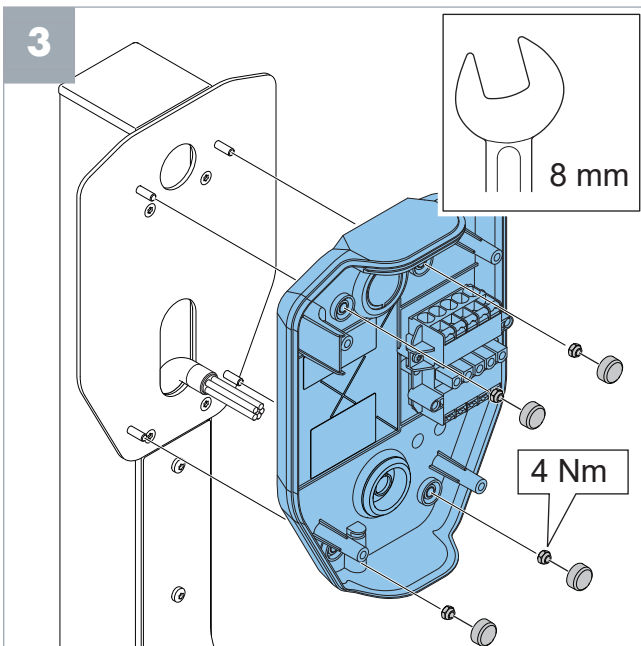


2b



Note: Only remove the rear plate if it is necessary when you pull up the cables.

3



Note: If a second CS unit is to be installed, make sure that 2 cables grommets are installed on the bracket. Refer to "To prepare the CS bracket for installation on the ground stand".

Note: Pull the power cable and ethernet cable through the cable grommet before you attach the nuts.

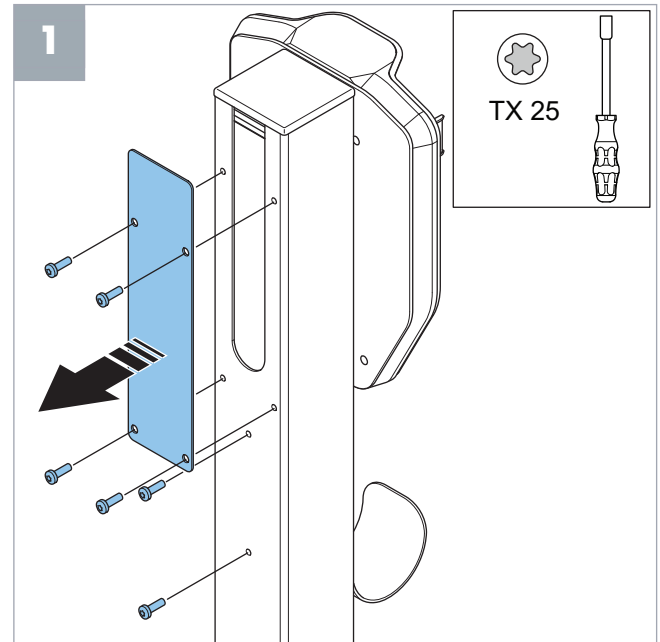
2.2 To install two CS units

Install the first CS unit. Refer to "To install one CS unit".

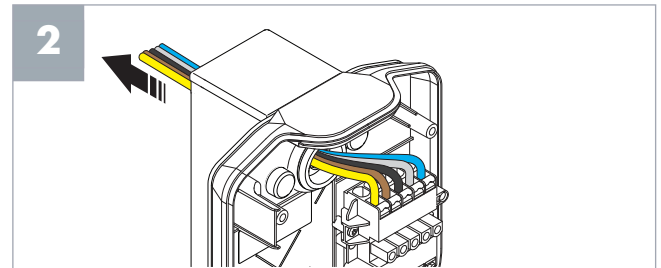
Note: A assembly plate for back to back fitting is available as accessory from GARO.

Note: Install 2 cable grommets on the primary CS bracket and 1 grommet on the secondary bracket. Refer to "To prepare the CS bracket for installation on the ground stand".

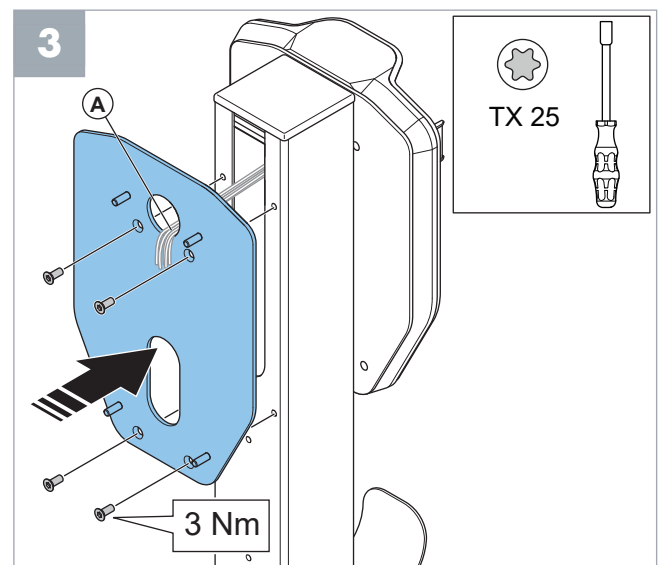
1



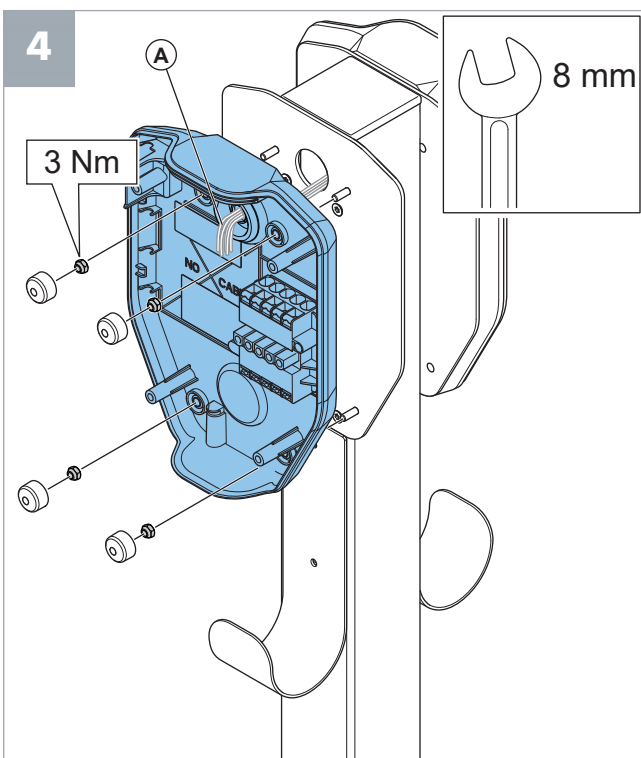
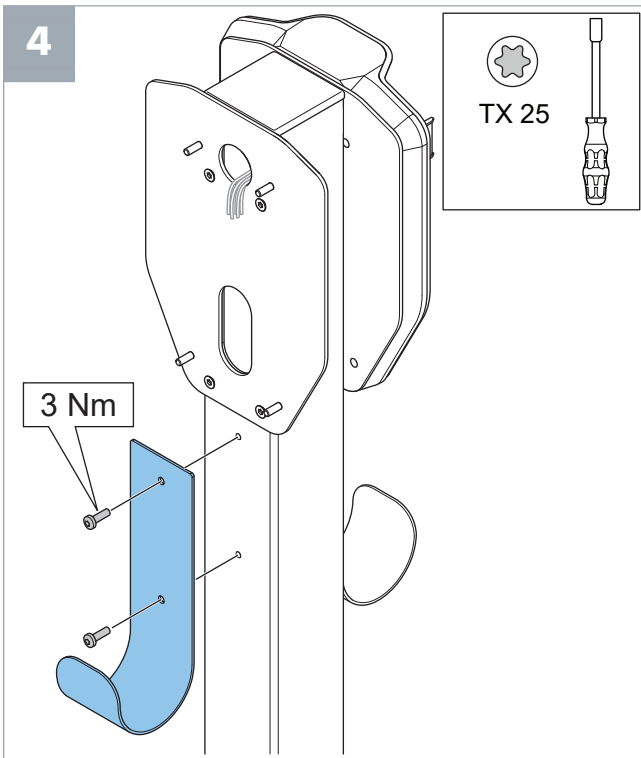
2



3

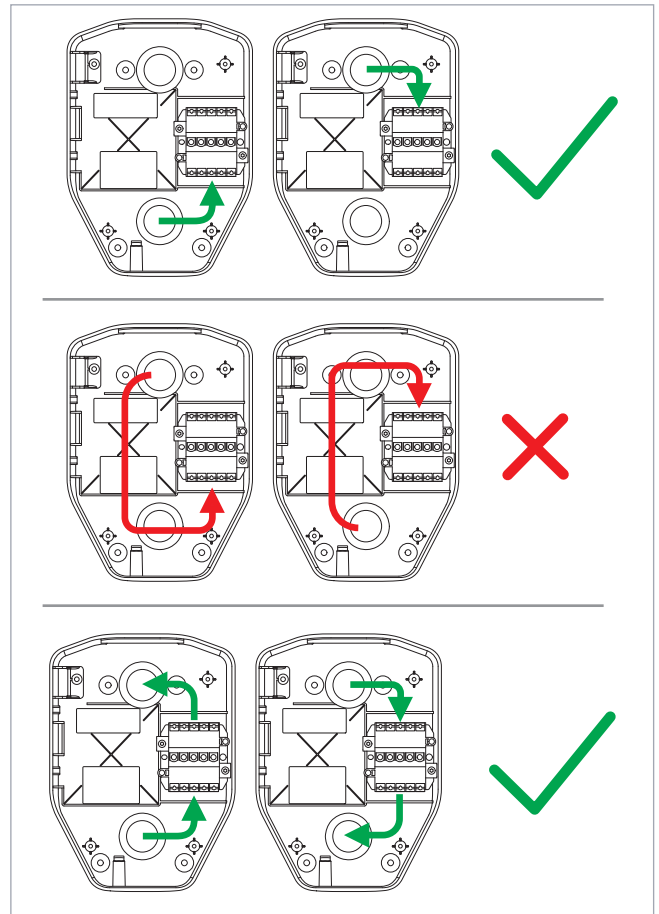


Note: Pull out the wires (A) from the first CS units through the top hole of the backplate.



Note: Pull out the wires (A) from the first CS units through the cable grommet in the bracket.

3. Cable routes



Note: No cables or wires may cross the area marked "No Cables".

GARO E-Mobility AB

Box 203
335 33 Gnosjö, Sweden
Phone +46 370 332 00
info@garo.se
www.garo.se

GARO Finland Oy

Itälahdenkatu 18 a,
FI-00210 HELSINKI, Finland
Telephone: +358 20 752 9030
E-mail: myynti@garo.fi
www.garo.fi

GARO Electric Ireland Ltd

19/307 Northwest Business Park,
Blanchardstown, IE-DUBLIN 15, Ireland
Telephone: +35 31 882 00 30
E-mail: info@garo.ie
www.garo.ie

GARO AS

Sankt Hallvardsvei 3,
NO-3414 LIERSTRANDA, Norway
Telephone: +47 32 89 64 50
E-mail: garo@garo.no
www.garo.no,

GARO Polska Sp z.o.o.

Wislawy Szymborskiej 18,
PL-70-784 SZCZECIN, Poland
Telephone: +48 91 881 17 70 , +48
91 424 33 35
Email: info@garo.com.pl
www.garo.com.pl

GARO Electric Ltd

Sales & Customer Service
Unit 16 Urban Express Park,
Aston Hall Road,
Birmingham,
B6 7FH

